



Ultra high output, high efficiency LED floodlight with wide NEMA type 6H x 6V beam spread. Patent Pending airflow technology ensures long LED and driver lifespan. Use for general and security lighting for large areas, building facades, signs and landscapes.

Color: Bronze

Weight: 27.2 lbs

<b>Project:</b>	<b>Type:</b>
<b>Prepared By:</b>	<b>Date:</b>

Driver Info		LED Info	
Type:	Constant Current	Watts:	150W
120V:	1.31A	Color Temp:	4000K
208V:	0.80A	Color Accuracy:	71 CRI
240V:	0.69A	L70 Lifespan:	100000
277V:	0.60A	Lumens:	19217
Input Watts:	155W	Efficacy:	124 LPW
Efficiency:	97%		

## Technical Specifications

### Listings

#### UL Listing:

Suitable for wet locations. Suitable for ground mounting.

#### IESNA LM-79 & LM-80 Testing:

RAB LED luminaires have been tested by an independent laboratory in accordance with IESNA LM-79 and LM-80, and have been received the Department of Energy "Lighting Facts" label.

#### DLC Listed:

This product is listed by Design Lights Consortium (DLC) as an ultra-efficient premium product that qualifies for the highest tier of rebates from DLC Member Utilities.

DLC Product Code: PMMJ33PV

### Electrical

#### Drivers:

Two Drivers, Constant Current, Class 2, 2000mA, 100-277V, 50-60Hz, Power Factor 99%

#### THD:

4.9% at 120V, 13.9% at 277V

#### Power Factor:

99.5% at 120V, 93.7% at 277V

#### Dimming Driver:

Driver includes dimming control wiring for 0-10V dimming systems. Requires separate 0-10V DC dimming circuit. Dims as low as 10%.

### Optical

#### NEMA Type:

NEMA Beam Spread of 6H x 6V

### Construction

#### IP Rating:

Ingress Protection rating of IP66 for dust and water

#### Maximum Ambient Temperature:

Suitable for use in 40°C (104°F) ambient temperatures

#### Effective Projected Area:

EPA = 2

#### Cold Weather Starting:

Minimum starting temperature is -40°C (-40°F)

#### Thermal Management:

Superior thermal management with external "Air-Flow" fins.

#### Lens:

Tempered glass lens.

#### Housing:

Die-cast aluminum housing and door frame

#### Mounting:

Heavy-duty Trunnion mount with stainless steel hardware

#### Reflector:

Specular, vacuum-metalized polycarbonate

#### Gaskets:

High-temperature silicone gaskets

#### Finish:

Formulated for high-durability and long lasting color.

#### Green Technology:

Mercury and UV free. RoHS compliant components. Polyester powder coat finish formulated without the use of VOC or toxic heavy metals.

### LED Characteristics

#### LEDs:

Multip-chip, high-output, long-life LEDs

#### Lifespan:

100,000-hour LED lifespan based on IES LM-80 results and TM-21 calculations.

#### Color Consistency:

3-step MacAdam Ellipse binning to achieve consistent fixture-to-fixture color.

#### Color Stability:

LED color temperature is warrantied to shift no more than 200K in CCT over a 5 year period.

#### Color Uniformity:

RAB's range of CCT (Correlated Color Temperature) follows the guidelines of the American National Standard for Specifications for the Chromaticity of Solid State Lighting (SSL) Products, ANSI C78.377-2017.

### Sensor Characteristics

#### Field & Beam Angles:

Horizontal Beam Angle (50%): 91.8°, Vertical Beam Angle (50%): 73.5° Horizontal Field Angle (10%): 121.0°, Vertical Field Angle (10%): 108.0°

## Technical Specifications (continued)

**Other**

**Warranty:**  
RAB warrants that our LED products will be free from defects in materials and workmanship for a period of five (5) years from the date of delivery to the end user, including coverage of light output, color stability, driver performance and fixture finish.

**Patents:**  
The design of FXLED150 is protected by patents pending in US, Canada, China, Taiwan and Mexico.

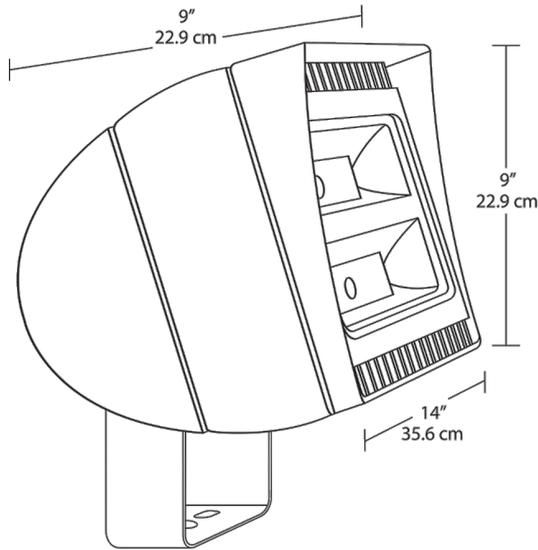
**American Bureau of Shipping (ABS) :**  
For use on Mobile Offshore Drilling Units (MODU) and shipping vessels.

**Replacement:**  
Replaces 400W Metal Halide

**FTC Country of Origin:**  
This product was assembled in the USA by RAB using imported components.

**Buy American Act Compliance:**  
This product complies with the Buy American Act.

## Dimensions



## Features

- 66% energy cost savings vs. HID
- NEMA Type - 6H x 6V
- Air-Flow technology heat dissipation
- 100,000-hour LED lifespan
- 5-year warranty

## Ordering Matrix

Family	Wattage	Mounting	Color Temp	Finish	Driver	Photocell Options
FXLED	150	T	N		/D10	
	78 = 78W 105 = 105W 125 = 125W 150 = 150W	SF = Slipfitter T = Trunnion	Blank = 5000K (Cool) N = 4000K (Neutral) Y = 3000K (Warm)	Blank = Bronze W = White	/480 = 480V /BL = Bi-Level (Slipfitter models only) /D10 = 0-10V Dimming (78W, 125W and 150W only)	Blank = No Option /PCT = 100-277V Twistlock /PCT4 = 480V Twistlock